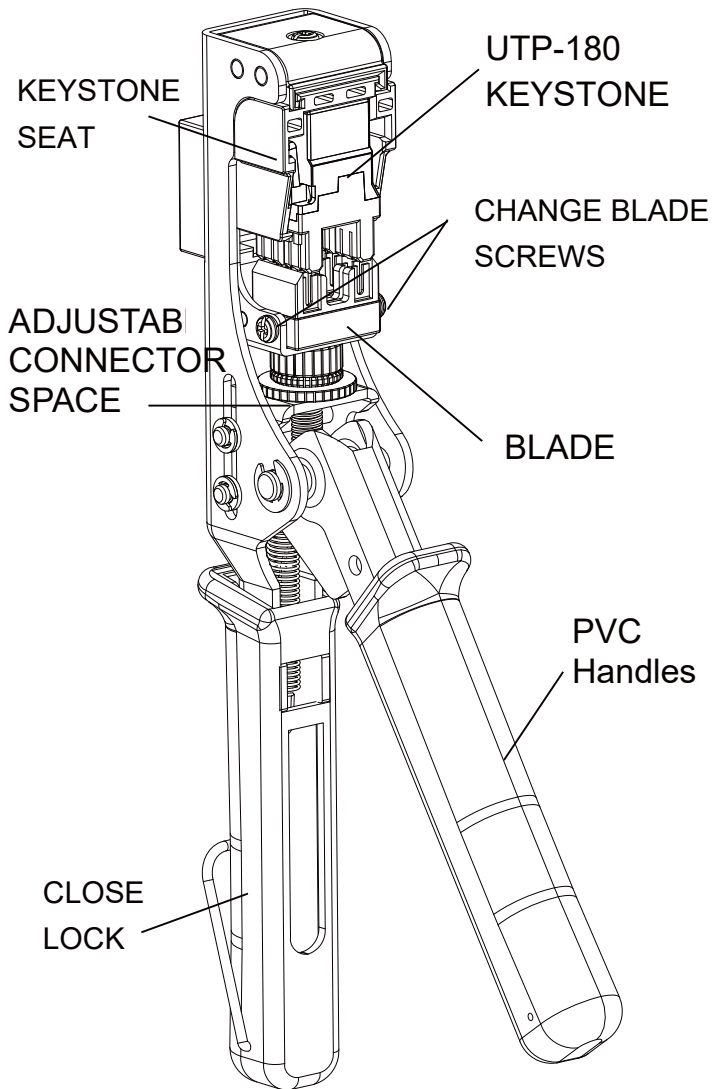
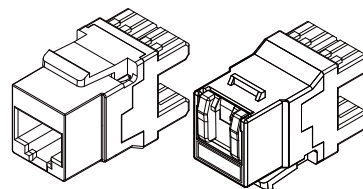


# DL-807UFC 8.6" COMPRESSION TOOL FOR UTP 110 KEYSTONE CONNECTORS



## Specification:

\* **Item No: DL- 807UFC**



UTP- 180  
110 TYPE  
4 PAIRS  
KEYSTONE

\* **Adjustable** for many kinds of UTP  
Keystone Connectors

\* **Easily** to change the Blade

\* **Length:** 8.6" (218+/-3mm)

\* **Weight:** 380 g

\* **Material:**

Body Are Made Of Carbon Steel

Blade Are Made Of Alloy Steel

\* **Finished:** Block Oxide Finished

**PATENTED**

