



ITEM NO : BOOT-E TYPE

Description:

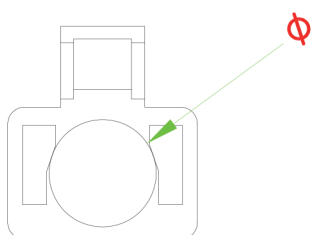
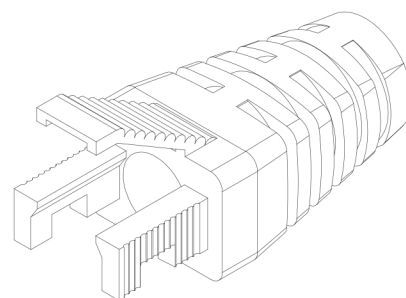
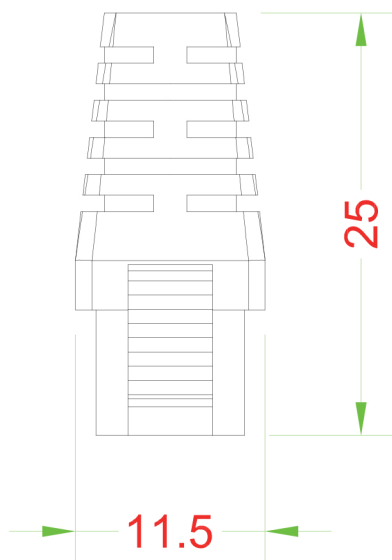
Boot For RJ-45 Plug, E Type : PVC,
ID : 5.0 / 5.5 / 6.0 / 6.5 / 7.0 mm

Materials : PVC

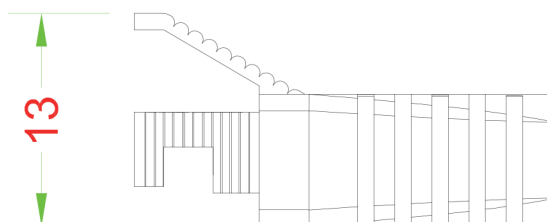
BOOT-E TYPE


For Cat.6 Plug – ID: 6.5 mm

Cores: Azul, Vermelha, Amarela, Verde,
Preta, Cinza, Branca e Incolor



ID : 5.0 / 5.5 / 6.0 / 6.5 / 7.0 mm



DRAW NO:		ITEM NO:	
 APPR		CUSTOMER:	
UNIT: m/m	DESIGN	DATE:	
SCALE:	Ref. NO:	TOLERANCE:	X ± 1 · X ± 0.2 · XX ± 0.15