



ITEM NO : BOOT-C TYPE

Description:

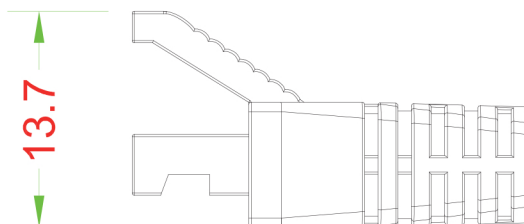
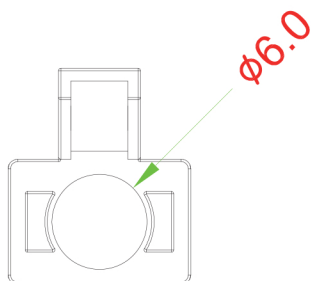
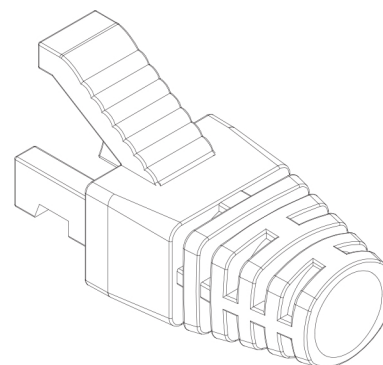
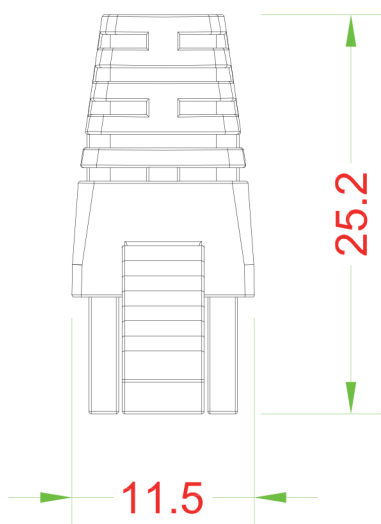
Boot For RJ-45 Plug, C Type : PVC,  
ID : 5.0 / 5.5 / 6.0 / 6.5 / 7.0 mm

Materials : PVC

**BOOT-C TYPE**

**For Cat.5E Plug – ID:6.0 mm**

**Cores:** Azul, Vermelha, Amarela, Verde,  
Preta, Cinza, Branca e Incolor



ID : 5.0 / 5.5 / 6.0 / 6.5 / 7.0 mm

DRAW NO:		ITEM NO:	
	APPR	CUSTOMER:	
UNIT: m/m	DESIGN	DATE:	
SCALE:	Ref. NO:	TOLERANCE:	X ± 1 · X ± 0.2 · XX ± 0.15