

FIBER OPTIC CABLE MAXI BREAKOUT

Breakout Cable

Breakout cables combine multiple fiber flexibility with the strength of individually jacketed fibers. Breakout cables can be terminated for fanout assemblies. Breakout cable is available in counts of 2-24 fibers.

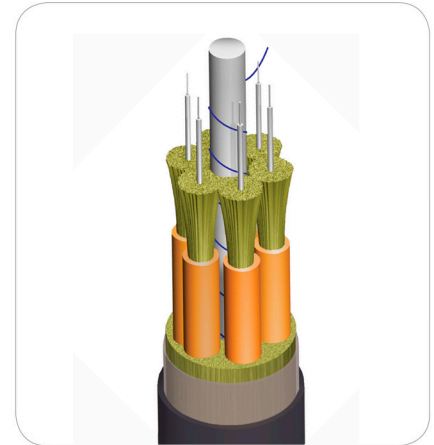
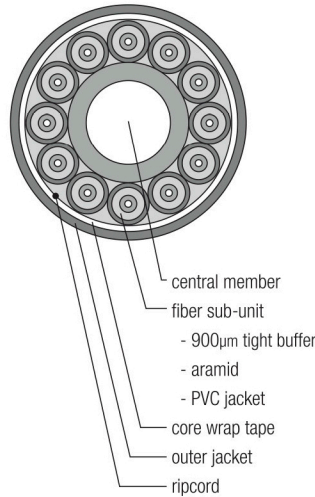
Applications

- Rugged multi-fiber cross-connects
- Intrabuilding "backbone"
- Fiber "backbone" to communications closet

Features

- Sub-units printed every 6 inches
- Tested to meet or exceed EIA/TIA 568-A / GR-409-CORE
- Compliant to Directive 2002/95/EC (RoHS)
- MSHA approved for mining applications
- Tight buffer and sub-unit jacket are available in a variety of colors

Cable Components



Fiber Specifications

CORE SIZE/ FIBER TYPE	ISO/ IEC	MAXIMUM ATTENUATION (DB/KM)			OVERFILL LAUNCH MIN. BANDWIDTH (MHZ•KM)		EMB _c (MHZ•KM)	GIGABIT ETHERNET MIN. LINK DISTANCE (METERS)		10 GIGABIT ETHERNET MIN. LINK DISTANCE (METERS)	
		850 NM	1300 NM	1550 NM	850 NM	1300 NM		850 NM	1300 NM	850 NM	1300 NM
(6) 62.5 Giga-Link™ 300	OM1	3.5	1.2	N/A	200	600	N/A	300	550	32	—
(5) 50 Giga-Link™ 600	OM2	3.5	1.5	N/A	500	500	N/A	600	600	82	—
(A) 50 Laser-Link 150	OM2	3.0	1.2	N/A	700	500	950	800	550	150	—
(L) 50 Laser-Link 300	OM3	3.0	1.2	N/A	1500	500	2000	1000	550	300	—
(C) 50 Laser-Link 550	OM4	3.0	1.2	N/A	3500	550	4700	1040	550	550	—
(K) AFL G.657.A1 Single-mode	OS2	N/A	0.5	0.5	N/A	N/A	N/A	N/A	5000	N/A	10,000
(9) SM	OS2	N/A	0.5	0.5	N/A	N/A	N/A	N/A	5,000	N/A	10,000

Temperature Specifications

TEMPERATURE RANGE	
INSTALLATION	0°C to +70°C
OPERATING	0°C to +70°C
STORAGE	-40°C to +75°C

FIBER OPTIC CABLE MAXI BREAKOUT

Breakout Cable

Mechanical Data

CABLE TYPE	AFL NO.	FIBER COUNT	NOMINAL DIAMETER INCHES (MM)	WEIGHT LBS/1000FT (KG/KM)	TENSION LBS (N)		BENDING RADIUS INCHES (CM)	
					INSTALLATION	LONG TERM	INSTALLATION	LONG TERM
Riser Breakout Cable	BR004★241##1	4	0.33 (8.5)	44 (65)	150 (660)	45 (198)	5.1 (12.8)	3.4 (8.5)
	BR006★241##1	6	0.40 (10.1)	64 (95)	150 (660)	45 (198)	6.0 (15.2)	4.0 (10.1)
	BR008★241##1	8	0.46 (11.6)	84 (125)	150 (660)	45 (198)	6.9 (17.4)	4.6 (11.6)
	BR012★241##1	12	0.58 (14.7)	138 (205)	150 (660)	45 (198)	8.7 (22.1)	5.8 (14.7)
	BR024★241##1	24	0.65 (16.6)	118 (175)	300 (1320)	90 (396)	11.4 (29.0)	7.6 (19.3)
Plenum Breakout Cable	BP004★301##1	4	0.36 (9.0)	57 (85)	100 (440)	30 (132)	5.3 (13.5)	3.6 (9.0)
	BP006★301##1	6	0.42 (10.6)	79 (118)	100 (440)	30 (132)	6.3 (15.9)	4.2 (10.6)
	BP008★301##1	8	0.48 (12.2)	105 (156)	100 (440)	30 (132)	7.2 (18.3)	4.8 (12.2)
	BP012★301##1	12	0.61 (15.5)	169 (252)	100 (440)	30 (132)	9.2 (23.2)	6.1 (15.5)

★ Fiber Types – please specify fiber type with number in the Fiber Specifications table on previous page.

Outer Jacket/Sub-unit Color – please specify outer jacket/sub-unit color when ordering (see below)

1=Blue	7=Red
2=Orange	8=Black
3=Green	9=Yellow
4=Brown	A=Violet
5=Slate	B=Rose
6=White	C=Aqua

Cable Length - Reel Size

ITEM	REEL F
Reel Height (inches)	42
Reel Outside Width (inches)	36
Drum Diameter (inches)	23
Reel Weight (lbs)	148
CAPACITY: meters (feet)	
4 Fiber Breakout	2,500 / (8,200)
6 Fiber Breakout	2,500 / (8,200)
8 Fiber Breakout	2,500 / (8,200)
12 Fiber Breakout	1,600 / (5,250)